

Lightology

lightology.com
866-954-4489
05-25-26

Project: _____

Company: _____

Location: _____ Fixture Type: _____

SPEC #: **TAL1116445**

Approved On: _____ Approved By: _____

Linear Triple Pendant By Tala



Description

The Linear Triple Pendant is designed to display a trio of Tala's decorative bulbs in an orderly row. Choose between the matte white Sphere bulbs for a clean, sophisticated look or Voronoi bulbs for a bold, industrial design. The Sphere bulbs feature Warm Dim LED lights that warm in color from 2800K to 2000K when dimmed. A Matte White powder-coated steel canopy and brass finished sockets provide just the right amount of shine to complement the bulbs.

Specifications

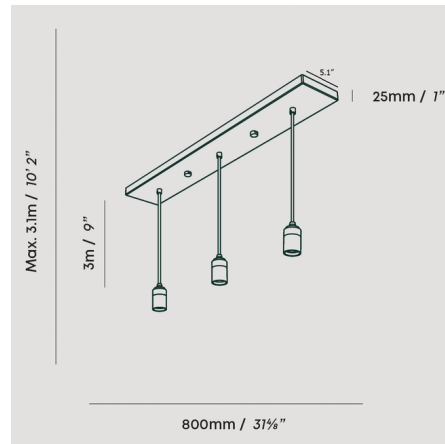
COLOR Tinted
BODY FINISH White
WATTAGE 9W
DIMMER Low Voltage Electronic
DIMENSIONS 31.5"L x 6.5"W x 11.8"H
BULB INCLUDED 3 x Edison Oversized/Medium (E26)/3W/120V LED

Technical Information

LAMP LIFE 15000 hours
COLOR RENDERING 95 CRI
LAMP COLOR 2200K
LUMENS/WATT 150.00
LUMINOUS FLUX 450 lumens



Shown in white / tinted



CLICK TO VIEW PRODUCT

Notes: