

# Lightology

lightology.com  
866-954-4489  
05-16-26

Project: \_\_\_\_\_  
 Company: \_\_\_\_\_  
 Location: \_\_\_\_\_ Fixture Type: \_\_\_\_\_  
 SPEC #: **EDG1117797**  
 Approved On: \_\_\_\_\_ Approved By: \_\_\_\_\_

## Vanishing Point Tubo SM Downlight - Drywall 24V/Remote Power

By PureEdge Lighting



### Description

The Vanishing Point Tubo Small Downlight integrates with the Vanishing Point Plaster-In-System for use in drywall applications. Features a .5 inch opening with no visible canopy line -- just the small .5 inch point of connection where the fixture stem disappears into the ceiling. Available in a variety of color temperature options, including Warm Dim 3000K-1800K, offered in multiple beam spread options that can be changed in the field. 2400K, 2700K, 3000K and 3500K available in Spot (25 degree), Flood (35 degree), and Wide Flood (45 degree) beam angle options. Warm Dim available in Flood (35 degree), and Wide Flood (45 degree) only. Note: A 24VDC remote Universal power supply is required and sold separately. Universal power supply dimmable with ELV/TRIAC/0-10V. Note: Title 24 compliant when used with a Universal power supply and 2700K color temperature.

### Specifications

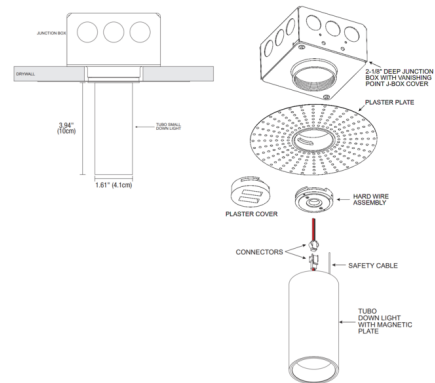
COLOR	N/A
BODY FINISH	White
WATTAGE	8.5W
DIMMER	Low Voltage Electronic
DIMENSIONS	1.61"W x 3.94"H
INTEGRATED LED MODULE	1 x LED/8.5W/24V LED

### Technical Information

LAMP LIFE	60000 hours
BEAM ANGLE	25°
COLOR RENDERING	97 CRI
LAMP COLOR	2400K
LUMENS/WATT	57.06
LUMINOUS FLUX	485 lumens



Shown in white



CLICK TO VIEW PRODUCT

Notes: