

Lightology

lightology.com
866-954-4489
07-08-26

Project: _____
Company: _____
Location: _____ Fixture Type: _____
SPEC #: **BPU1118967**
Approved On: _____ Approved By: _____

Pre-Drilled Passage Door Knob Set - Linear Pattern

By Buster + Punch

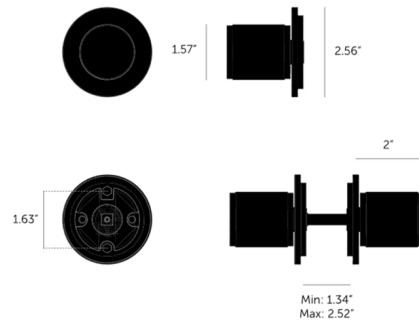


Description

The Linear Pattern Pre-Drilled Passage Door Knob Set is refined by hand and features a linear knurl pattern. Intended for interior doors. Includes two knobs and an 8mm square spindle. Fits doors with a minimum of 1.375 inch thickness. Tubular latch sold separately. **Black:** Made from Aluminum and then anodized to give a deep Black finish. **Brass:** Made from precision-machined solid brass and finished with two layers of durable satin lacquer. This finish will age slowly, moving from radiant brass to deeper and golden within a few years. **Smoked Bronze:** This is a living finish, meaning the more it is used the more the base Brass will show through. It will age with you. **Steel:** Made from solid stainless steel and refined by hand. Steel is Buster + Punch's most durable finish and will remain the same for years to come.



Shown in welders black



Specifications

COLOR	N/A
BODY FINISH	Welders Black
WATTAGE	N/A
DIMMER	N/A
DIMENSIONS	2.56"W x 1.57"H x 2"D
BULB	N/A



CLICK TO VIEW PRODUCT

Notes: