

Lightology

lightology.com
866-954-4489
04-25-26

Project: _____

Company: _____

Location: _____ Fixture Type: _____

SPEC #: **BPU1119053**

Approved On: _____ Approved By: _____

Double Sided Pull Bar

By Buster + Punch

Description

The Double Sided Pull Bar is refined by hand and features Buster + Punch's signature diamond-cut, cross-knurl pattern. Black: Made from Aluminum and then anodized to give a deep Black finish. Brass: Made from precision-machined solid brass and finished with two layers of durable satin lacquer. This finish will age slowly, moving from radiant brass to deeper and golden within a few years. Steel: Made from solid stainless steel and refined by hand. Steel is Buster + Punch's most durable finish and will remain the same for years to come.

Specifications

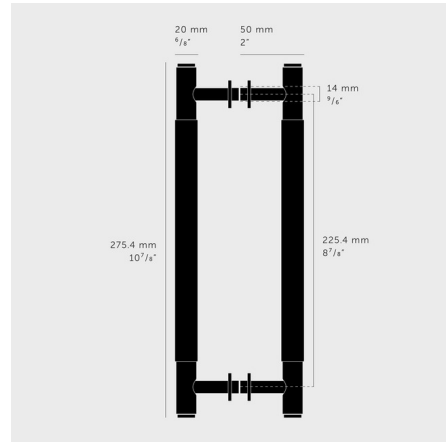
COLOR	N/A
BODY FINISH	Brass
WATTAGE	N/A
DIMMER	N/A
DIMENSIONS	0.75"W x 10.9"H x 2"D
BULB	N/A

Technical Information

PRODUCT DIMENSIONS	Center to Center: 8.8"
--------------------	------------------------



Shown in brass



CLICK TO VIEW PRODUCT

Notes: