

Lightology

lightology.com
866-954-4489
04-27-26

Project: _____

Company: _____

Location: _____ Fixture Type: _____

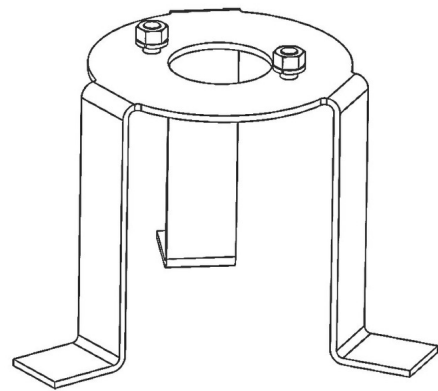
SPEC #: **MAR1124457**

Approved On: _____ Approved By: _____

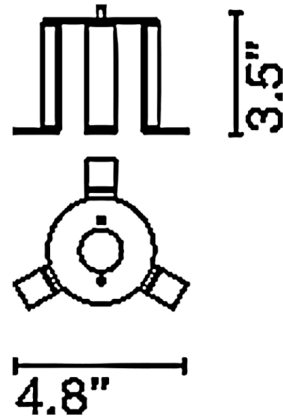
LED-Ginger Bollard Ground Fixation Plate By Marset

Description

The Ginger Bollard Ground Fixation Plate is an accessory for the Ginger 24V Outdoor Bollard Light by Marset. The Plate can be installed in newly poured concrete to provide an anchor for the Bollard Light.



Shown in stainless steel



Specifications

COLOR	N/A
BODY FINISH	Stainless Steel
WATTAGE	N/A
DIMMER	N/A
DIMENSIONS	4.8"W x 3.5"H
BULB	N/A



CLICK TO VIEW PRODUCT

Notes: