

# Lightology

lightology.com  
866-954-4489  
04-07-26

Project: \_\_\_\_\_  
Company: \_\_\_\_\_  
Location: \_\_\_\_\_ Fixture Type: \_\_\_\_\_  
SPEC #: **BOV1125541**  
Approved On: \_\_\_\_\_ Approved By: \_\_\_\_\_

## Nut Outdoor Wall Sconce

By Bover

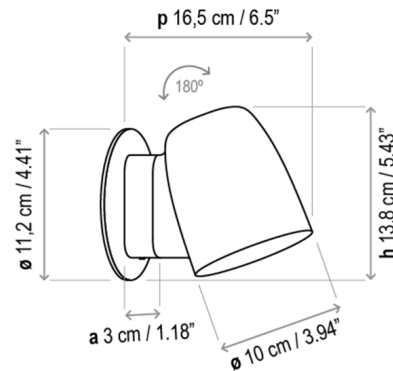


### Description

The Nut A/01 Outdoor Wall Sconce is a small-scale understated light that can stand up to wet conditions indoors or outdoors. It is crafted out of stainless steel and aluminum with a durable textured finish. A polycarbonate diffuser softens the light, and the bell-shaped shade rotates 180 degrees for light direction adjustment. This fixture is perfect for illuminating an outdoor patio or pathway or a bathroom. Three dimmable types are available: 0-10V, push button and TRIAC. The push button dimmer allows three brightness levels: 33%, 66%, 100%. Note: The included backplate mounts on a standard US junction box. It is not shown in the photos but is shown in the line drawing.



Shown in textured black



### Specifications

COLOR	N/A
BODY FINISH	Textured Black
WATTAGE	6.3W
DIMMER	Standard 120V
DIMENSIONS	4.41"W x 5.43"H x 6.5"D
INTEGRATED LED MODULE	1 x LED/6.3W/120V LED
COUNTRY OF ORIGIN	Spain

### Technical Information

COLOR RENDERING	90 CRI
LAMP COLOR	2700K
LUMENS/WATT	150.79
LUMINOUS FLUX	950 lumens



CLICK TO VIEW PRODUCT

Notes: