

# Lightology

lightology.com  
866-954-4489  
05-16-26

Project: \_\_\_\_\_  
 Company: \_\_\_\_\_  
 Location: \_\_\_\_\_ Fixture Type: \_\_\_\_\_  
 SPEC #: **EDG1129256**  
 Approved On: \_\_\_\_\_ Approved By: \_\_\_\_\_

## T24M TruTrack Magnetic 2-Circuit Radiant Large Track Head

By PureEdge Lighting



### Description

The Radiant Large is a 24 volt track head designed for the TruTrack Magnetic track systems. The minimal design of the Radiant large track head offers maximum illumination within a small package. Radiant features a flat-backed tube heat sink with 360 degree horizontal and 90 degree vertical rotation. Includes low voltage TruTrack magnetic connector. 2700K, 3000K and 3500K color temperatures offered in NS (Narrow Spot-10 degree), SP (Spot-20 degree), NF (Narrow Flood-35 degree), FL (Flood-45 degree), and WF (Wide Flood-60 degree) beam angle options. Note: Warm Dim (3000K-1800K) available in NS (Narrow Spot-15 degree), SP (Spot-25 degree), FL (Flood-45 degree), and WF (Wide Flood-60 degree) beam angle options. Note: Required TruTrack Magnetic track system and power supply, sold separately.

### Specifications

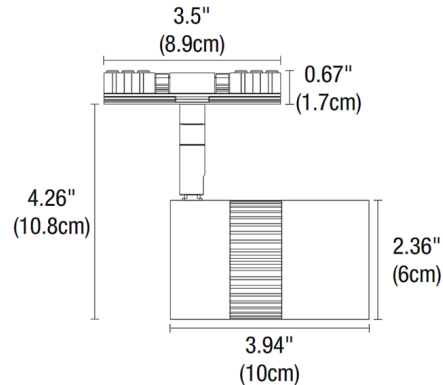
COLOR	N/A
BODY FINISH	White
WATTAGE	14W
DIMMER	N/A
DIMENSIONS	2.36"W x 3.94"H
INTEGRATED LED MODULE	1 x LED/14W/24V LED

### Technical Information

LAMP LIFE	60000 hours
BEAM ANGLE	10°
COLOR RENDERING	92 CRI
LAMP COLOR	2700K
LUMENS/WATT	82.93
LUMINOUS FLUX	1161 lumens



Shown in white



CLICK TO VIEW PRODUCT

Notes: