

Lightology

lightology.com
866-954-4489
04-25-26

Project: _____
 Company: _____
 Location: _____ Fixture Type: _____
 SPEC #: **WAC1130425**
 Approved On: _____ Approved By: _____

Blake Wall Sconce By WAC Lighting



Description

The Blake Wall Sconce features a simple design that blends well with many styles including contemporary and transitional. Use it for ambient illumination and downlighting in hallways, dining areas, and bedrooms. It can be installed vertically, horizontally, or in any other orientation. This fixture uses AC LED driverless technology and is dimmable with a TRIAC or ELV dimmer, sold separately. Note: Fixture will be preset at selected color temperature but can be toggled between 2700K, 3000K, or 3500K prior to installation via a CCT-select switch in the canopy.

Specifications

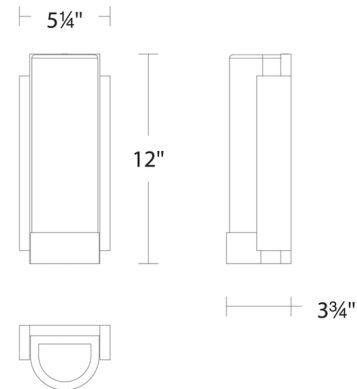
COLOR	Opal
BODY FINISH	Black
WATTAGE	17W
DIMMER	Low Voltage Electronic
DIMENSIONS	5.25"W x 12"H x 3.75"D
INTEGRATED LED MODULE	2 x LED/8.5W/120V LED
COUNTRY OF ORIGIN	China

Technical Information

LAMP LIFE	50000 hours
COLOR RENDERING	90 CRI
LAMP COLOR	CCT Select
LUMENS/WATT	49.88
LUMINOUS FLUX	424 lumens



Shown in black / opal



CLICK TO VIEW PRODUCT

Notes: