

Lightology

lightology.com
866-954-4489
04-22-26

Project: _____
Company: _____
Location: _____ Fixture Type: _____
SPEC #: **SND1139388**
Approved On: _____ Approved By: _____

Junit Pino Pendant By Schneid



Description

The Junit Pino Pendant is a playful display of shapes and lines. It features a high-quality Walnut Wood and is paired with a Milky White LED globe. This is perfect alone or grouped with others to create a unique look. Available with UL listing or non-UL (CE). Note: The pendant is supplied with a white cord and canopy (not pictured).

Specifications

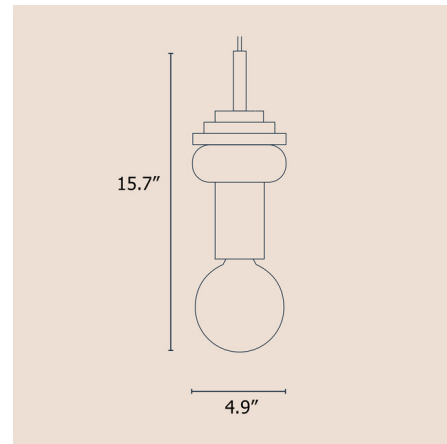
COLOR	N/A
BODY FINISH	Walnut
WATTAGE	6W
DIMMER	Standard 120V
DIMENSIONS	4.9"W x 15.7"H
BULB INCLUDED	1 x G25/Medium (E26)/6W/120V LED

Technical Information

PRODUCT DIMENSIONS	Adjustable Cord Length: 98.43"
LAMP COLOR	2700K



Shown in walnut



CLICK TO VIEW PRODUCT

Notes: