

Lightology

lightology.com
866-954-4489
04-26-26

Project: _____
Company: _____
Location: _____ Fixture Type: _____
SPEC #: **TOY1140536**
Approved On: _____ Approved By: _____

Nastro Table Lamp By Tooy



Description

The Nastro Table Lamp features a curved aluminum band accompanied by a cylindrical weight to counterbalance the lamp's sleek form. The integrated LED strip allows the lamp to maintain its simple, minimalist structure, and can be dimmed via a touch dimmer located on the lamp's body. Driver on plug. Note: The finish choice is for the structure and the color choice is for the cylindrical weight.

Specifications

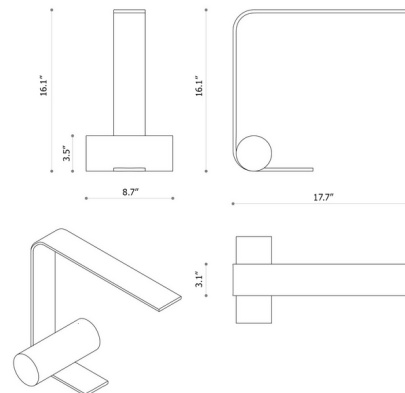
COLOR Terracotta Cylinder
BODY FINISH Eggshell
WATTAGE 13W
DIMMER Included
DIMENSIONS 17.7"W x 16.1"H x 8.7"D
INTEGRATED LED MODULE 1 x LED/13W/120V LED

Technical Information

PRODUCT DIMENSIONS Cord Length: 59.1"
LAMP COLOR 2700K
LUMENS/WATT 119.92
LUMINOUS FLUX 1559 lumens



Shown in eggshell / terracotta cylinder



CLICK TO VIEW PRODUCT

Notes: