

Lightology

lightology.com
866-954-4489
05-25-26

Project: _____

Company: _____

Location: _____ Fixture Type: _____

SPEC #: **ICW1148637**

Approved On: _____ Approved By: _____

Augustus Pendant By In Common With

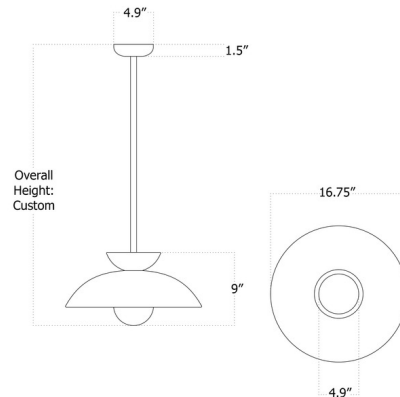


Description

The Augustus Pendant is part of the Terra series and was made in collaboration with ceramicist Danny Kaplan. It features hand-thrown curves and a sleek sculptural silhouette. It is suspended from a Brass rod with a self-leveling canopy, suitable for sloped ceilings up to 78 degrees. Note: Due to the handmade nature of this product, dimensions may vary within one inch. Note: This fixture has a fixed brass rod that is not adjustable. Please specify the exact overall length (OAL) when placing your order. OAL is measured from the ceiling to the bottom of a fixture and includes the shades. The minimum OAL for this fixture is 17 inches, and the maximum with no seam is 83 inches. With a stem over 83 inches, a seam will be placed at 81.5 inches.



Shown in patina brass / anthracite



Specifications

COLOR Chestnut
BODY FINISH Brass
WATTAGE 6W
DIMMER Standard 120V
DIMENSIONS 16.75"W x 9"H
BULB INCLUDED 1 x JCD/G9/6W/120V LED
COUNTRY OF ORIGIN United States

Technical Information

COLOR RENDERING 90 CRI
LAMP COLOR 2700K
LUMENS/WATT 91.67
LUMINOUS FLUX 550 lumens



CLICK TO VIEW PRODUCT

Notes: