

Lightology

lightology.com
866-954-4489
04-22-26

Project: _____

Company: _____

Location: _____ Fixture Type: _____

SPEC #: **ICW1148820**

Approved On: _____ Approved By: _____

Simon Surface Mount By In Common With

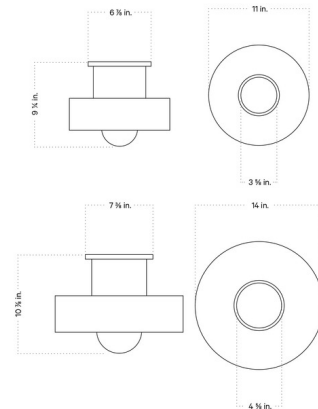


Description

The Simon Surface Mount is part of the Terra series and was made in collaboration with ceramicist Danny Kaplan. It features stacked cylindrical forms that create a simple, yet playful silhouette. All mounting hardware is concealed within the base. Note: Due to the handmade nature of this product, dimensions may vary within one inch.



Shown in ivy



Specifications

COLOR	Ivy
BODY FINISH	N/A
WATTAGE	4.5W
DIMMER	Standard 120V
DIMENSIONS	11"W x 11"H x 9.25"D
BULB INCLUDED	1 x JCD/G9/4.5W/120V LED
COUNTRY OF ORIGIN	United States

Technical Information

COLOR RENDERING	90 CRI
LAMP COLOR	2700K
LUMENS/WATT	100.00
LUMINOUS FLUX	450 lumens



CLICK TO VIEW PRODUCT

Notes: