



DESIGNER

Danny Kaplan

BRAND

In Common With

DESCRIPTION

The Varinia Surface Mount is part of the Terra series and was made in collaboration with ceramicist Danny Kaplan. It features a collection of stacked hand-thrown clay forms that create a modern and playful silhouette. All mounting hardware is concealed within the base. Due to the handmade nature of this item, no two are identical.

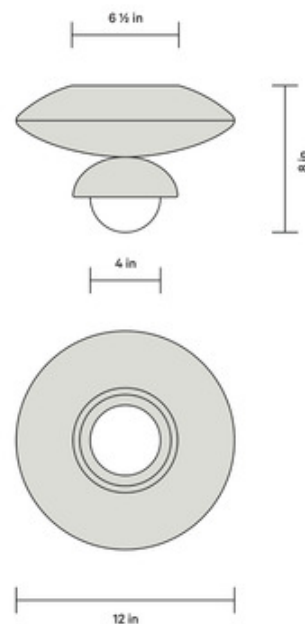


SHADE COLOR	Anthracite
BODY FINISH	N/A
WATTAGE	4.5W
DIMMER	Standard 120V
DIMENSIONS	12"W x 12"H x 8"D
BULB INCLUDED	
LAMP	1 x JCD/G9/4.5W/120V LED

Technical Information

LUMINOUS FLUX	450 lumens
LUMENS/WATT	100.00
LAMP COLOR	2700K

SPEC # ICW1148830



COMPANY	PROJECT	FIXTURE TYPE	APPROVED BY	DATE