

Lightology

lightology.com
866-954-4489
06-04-26

Project: _____

Company: _____

Location: _____ Fixture Type: _____

SPEC #: **ACC1149074**

Approved On: _____ Approved By: _____

Port Nine Burgundy Wall Sconce By Access



Description

With its many glass and finish options, the Port Nine Burgundy LED Wall Sconce by Access Lighting is the ideal piece to help you complete and customize a modern industrial lighting look. Choose from various glass shade shapes and textures, as well as from a range of finishes on the textured steel base. Suitable for commercial or residential use.

Specifications

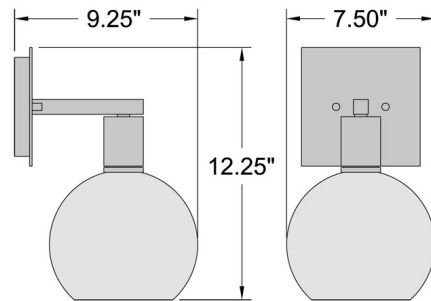
COLOR Clear
BODY FINISH Matte Black
WATTAGE 9W
DIMMER Standard 120V
DIMENSIONS 7.5"W x 12.25"H x 9.25"D
BULB INCLUDED 1 x Edison ST-Shape/Medium (E26)/9W/120V LED
COUNTRY OF ORIGIN China

Technical Information

PRODUCT DIMENSIONS Backplate: 4.5" Square
COLOR RENDERING 90 CRI
LAMP COLOR 2700K
LUMENS/WATT 66.67
LUMINOUS FLUX 600 lumens



Shown in matte black / clear



CLICK TO VIEW PRODUCT

Notes: