

Lightology

lightology.com
866-954-4489
05-24-26

Project: _____

Company: _____

Location: _____ Fixture Type: _____

SPEC #: **AHM1149411**

Approved On: _____ Approved By: _____

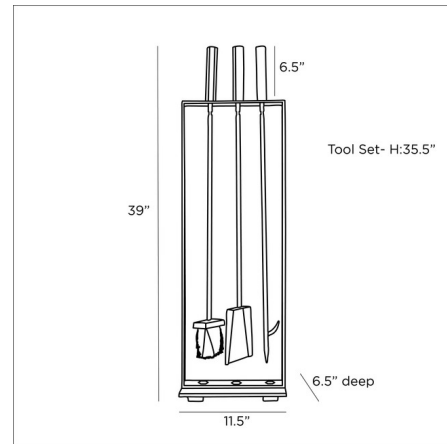
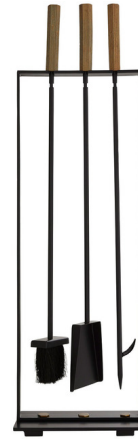
Landt Fireplace Tool Set

By Arteriors Home



Description

The Landt Fireplace Tool Set will bring a farmhouse vibe to your fireplace. The iron frame adds an industrial bold look. The tool handles are made of textured aluminum for a solid grip.



Specifications

COLOR	N/A
BODY FINISH	N/A
WATTAGE	N/A
DIMMER	N/A
DIMENSIONS	11.5"W x 39"H x 6.5"D
BULB	N/A



CLICK TO VIEW PRODUCT

Notes: