

# Lightology

lightology.com  
866-954-4489  
05-17-26

Project: \_\_\_\_\_

Company: \_\_\_\_\_

Location: \_\_\_\_\_ Fixture Type: \_\_\_\_\_

SPEC #: **AHM1149433**

Approved On: \_\_\_\_\_ Approved By: \_\_\_\_\_

## Nakoa Bar Cart By Arteriors Home

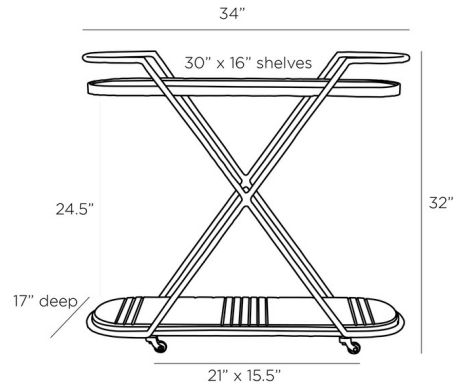


### Description

The Nakoa Bar Cart brings an art deco look to your interior space. The x-shaped legs rest on an attached marble base that doubles as a shelf. The chiseled deco pattern adds a machine-age edge.



Shown in blackened iron



### Specifications

|             |                    |
|-------------|--------------------|
| COLOR       | N/A                |
| BODY FINISH | Blackened Iron     |
| WATTAGE     | N/A                |
| DIMMER      | N/A                |
| DIMENSIONS  | 34"W x 32"H x 17"D |
| BULB        | N/A                |



CLICK TO VIEW PRODUCT

Notes: