

Lightology

lightology.com
866-954-4489
05-19-26

Project: _____

Company: _____

Location: _____ Fixture Type: _____

SPEC #: **AHMT149441**

Approved On: _____ Approved By: _____

Oswald Console By Arteriors Home

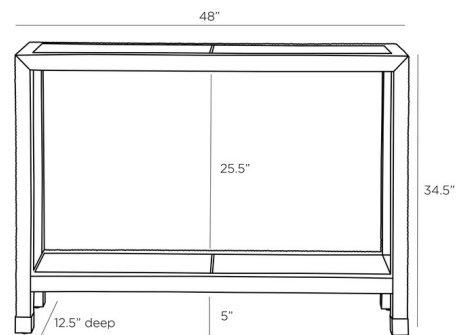


Description

The Oswald Console is wrapped in strips of leather. This piece is minimalist in form and will be the focal point in your space.



Shown in graphite leather



Specifications

COLOR	N/A
BODY FINISH	Graphite Leather
WATTAGE	N/A
DIMMER	N/A
DIMENSIONS	48"W x 34.5"H x 12.5"D
BULB	N/A



CLICK TO VIEW PRODUCT

Notes: