

Lightology

lightology.com
866-954-4489
04-23-26

Project: _____

Company: _____

Location: _____ Fixture Type: _____

SPEC #: **AHM1149507**

Approved On: _____ Approved By: _____

Medici Side Table

By Arteriors Home



Description

The Medici Side Table adds both form and function to your space. The two ofram shelves and drawer can store your treasures.

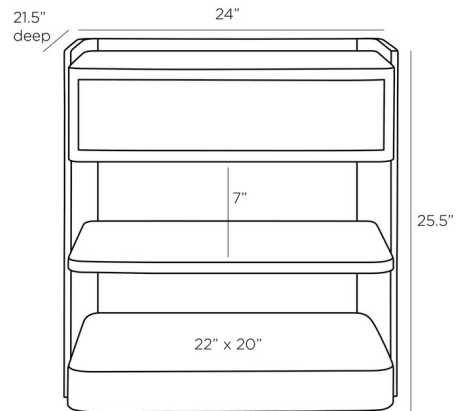
Specifications

COLOR Light Wood
BODY FINISH Black
WATTAGE N/A
DIMMER N/A
DIMENSIONS 24"W x 25.5"H x 21.5"D
BULB N/A

Notes:



Shown in black / light wood



CLICK TO VIEW PRODUCT