

# Lightology

lightology.com  
866-954-4489  
05-25-26

Project: \_\_\_\_\_

Company: \_\_\_\_\_

Location: \_\_\_\_\_ Fixture Type: \_\_\_\_\_

SPEC #: **CRC1150156**

Approved On: \_\_\_\_\_ Approved By: \_\_\_\_\_

## Frey Pendant

By Currey & Company



### Description

The Frey Pendant is made of simple materials, but its profile is extremely stylish. Ian Thornton designed the black pendant with its frame that elegantly wraps around the white fabric shade. Made of steel in a satin black finish, the fixture nails the black and white design trend. The fact that it is suspended by a stem instead of a chain brings it a contemporary flair.

### Specifications

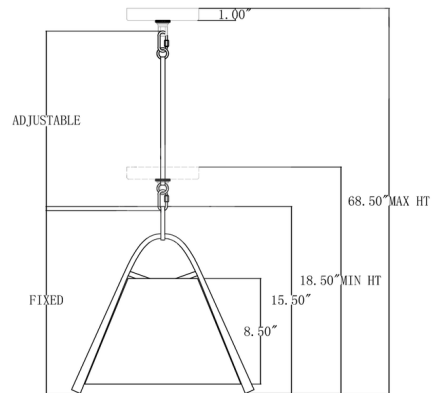
COLOR . . . . . Off White  
BODY FINISH . . . . . Satin Black  
WATTAGE . . . . . 60W  
DIMMER . . . . . Standard 120V  
DIMENSIONS . . . . . 14.75"W x 15.25"H x 12.75"D  
BULB NOT INCLUDED . . . . . 1 x A19/Medium (E26)/60W/120V Incandescent  
OTHER BULB OPTIONS . . . . . 1 x A19/Medium (E26)/120V LED  
COUNTRY OF ORIGIN . . . . . China

### Technical Information

PRODUCT DIMENSIONS . . . . . Downrod Lengths: (1) 6" and (3) 12" included.



Shown in satin black / off white



CLICK TO VIEW PRODUCT

Notes: