

# Lightology

lightology.com  
866-954-4489  
06-15-26

Project: \_\_\_\_\_

Company: \_\_\_\_\_

Location: \_\_\_\_\_ Fixture Type: \_\_\_\_\_

SPEC #: **ALO1151697**

Approved On: \_\_\_\_\_ Approved By: \_\_\_\_\_

## Torres Glass Wall Sconce

By Alora



### Description

The Torres Glass Wall Sconce makes a stark yet stunning statement in your interior space. The elegant forged metalwork is complemented by ribbed glass, inspired by the resurgence of brutalist art and architecture. Remove the glass shade for a boost of modern flair.

### Specifications

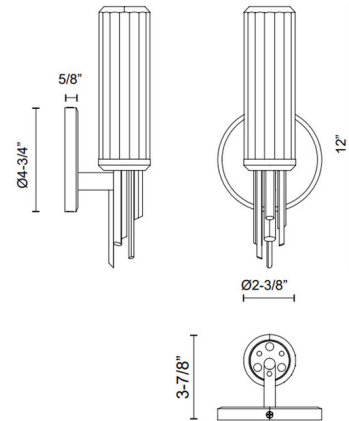
COLOR	Clear Ribbed
BODY FINISH	Matte Black
WATTAGE	40W
DIMMER	Standard 120V
DIMENSIONS	2.38"W x 12"H x 3.875"D
BULB NOT INCLUDED	1 x B10/Candelabra (E12)/40W/120V Incandescent
OTHER BULB OPTIONS	1 x B10/Candelabra (E12)/120V LED
COUNTRY OF ORIGIN	China

### Technical Information

PRODUCT DIMENSIONS	Backplate: 4.75" Dia
--------------------	----------------------



Shown in matte black / clear ribbed



CLICK TO VIEW PRODUCT

Notes: