

Lightology

lightology.com
866-954-4489
06-20-26

Project: _____

Company: _____

Location: _____ Fixture Type: _____

SPEC #: **ALO1151710**

Approved On: _____ Approved By: _____

Torres Claw Wall Sconce

By Alora



Description

The Torres Claw Wall Sconce makes a stark yet stunning statement in your interior space. The elegant forged metalwork is inspired by the resurgence of brutalist art and architecture.

Specifications

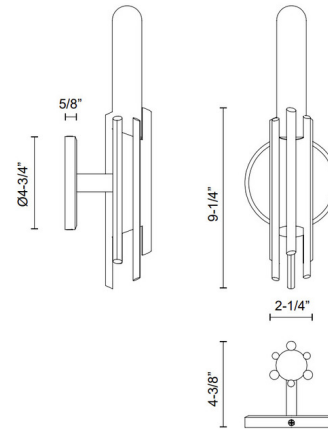
COLOR	N/A
BODY FINISH	Vintage Brass
WATTAGE	40W
DIMMER	Standard 120V
DIMENSIONS	2.25"W x 9.25"H x 4.375"D
BULB NOT INCLUDED	1 x T10/Medium (E26)/40W/120V Incandescent
OTHER BULB OPTIONS	1 x T10/Medium (E26)/120V LED
COUNTRY OF ORIGIN	China

Technical Information

PRODUCT DIMENSIONS	Backplate: 4.75" Dia
--------------------	----------------------



Shown in vintage brass



CLICK TO VIEW PRODUCT

Notes: