

Lightology

lightology.com
866-954-4489
05-17-26

Project: _____

Company: _____

Location: _____ Fixture Type: _____

SPEC #: **RAB1152514**

Approved On: _____ Approved By: _____

Arthur Wall Sconce

By Robert Abbey

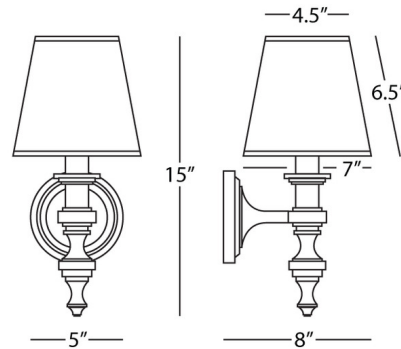


Description

The Arthur Wall Sconce is a modern version of the classic candlestick design. The subtly curved body is topped with a cone shaped hardback silk shade. May be direct wired or plugged in with the cord and cord cover. On/Off switch is located on the cord when used as a plug-in.



Shown in deep patina bronze / pearl dupioni



Specifications

COLOR Pearl Dupioni
BODY FINISH Deep Patina Bronze
WATTAGE 60W
DIMMER Standard 120V
DIMENSIONS 7"W x 15"H x 8"D
BULB NOT INCLUDED 1 x B10/Candelabra (E12)/60W/120V Incandescent
OTHER BULB OPTIONS 1 x B10/Candelabra (E12)/120V LED
COUNTRY OF ORIGIN India



CLICK TO VIEW PRODUCT

Notes: