

# Lightology

lightology.com  
866-954-4489  
05-23-26

Project: \_\_\_\_\_

Company: \_\_\_\_\_

Location: \_\_\_\_\_ Fixture Type: \_\_\_\_\_

SPEC #: **BR11157533**

Approved On: \_\_\_\_\_ Approved By: \_\_\_\_\_

## MR11 GU4 Base 2W 12V 15Deg 2700K 85CRI 20-PACK

By Brilliance



### Description

The Brilliance 2 Watt 12V MR11 GU4 Bi-Pin is designed to fit in standard low voltage MR11 fixtures. These LEDs are thermally engineered to operate in enclosed fixtures and provide added security by automatically cooling down and reducing lumen output when exposed to extreme heat. Available in a variety of beam angle options in static white color temperature and Amber. Equivalent to a 20 watt halogen. Dimmable with Brilliance Dimmer and most low voltage magnetic transformers. Limited beam angle options available in Amber. Note: Sold as a 20-pack.

### Specifications

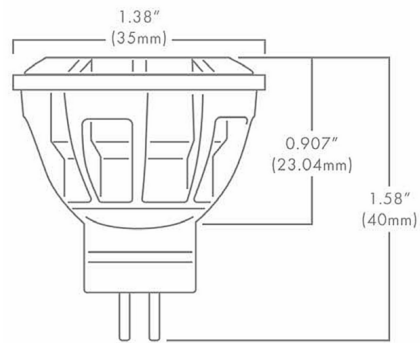
COLOR . . . . . Brown  
BODY FINISH . . . . . N/A  
WATTAGE . . . . . 2W  
DIMMER . . . . . Low Voltage Magnetic  
DIMENSIONS . . . . . 1.38"W x 1.58"H  
BULB . . . . . MR11/GU4/2W/12V LED

### Technical Information

LAMP LIFE . . . . . 50000 hours  
BEAM ANGLE . . . . . 15°  
COLOR RENDERING . . . . . 85 CRI  
LAMP COLOR . . . . . 2700K  
LUMENS/WATT . . . . . 60.00  
LUMINOUS FLUX . . . . . 120 lumens



Shown in brown



CLICK TO VIEW PRODUCT

Notes: