

Lightology

lightology.com
866-954-4489
05-25-26

Project: _____

Company: _____

Location: _____ Fixture Type: _____

SPEC #: **BR11157539**

Approved On: _____ Approved By: _____

MR11 GU4 Base 2W 12V 120Deg 2700K 85CRI 20-PACK

By Brilliance



Description

The Brilliance 2 Watt 12V MR11 GU4 Bi-Pin is designed to fit in standard low voltage MR11 fixtures. These LEDs are thermally engineered to operate in enclosed fixtures and provide added security by automatically cooling down and reducing lumen output when exposed to extreme heat. Available in a variety of beam angle options in static white color temperature and Amber. Equivalent to a 20 watt halogen. Dimmable with Brilliance Dimmer and most low voltage magnetic transformers. Limited beam angle options available in Amber. Note: Sold as a 20-pack.

Specifications

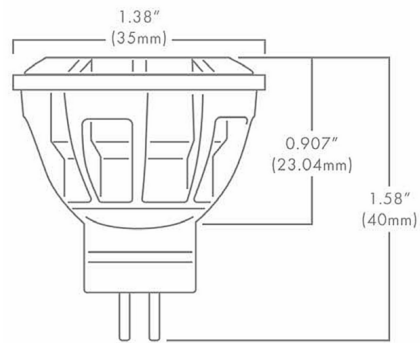
COLOR Brown
BODY FINISH N/A
WATTAGE 2W
DIMMER Low Voltage Magnetic
DIMENSIONS 1.38"W x 1.58"H
BULB MR11/GU4/2W/12V LED

Technical Information

LAMP LIFE 50000 hours
BEAM ANGLE 120°
COLOR RENDERING 85 CRI
LAMP COLOR 2700K
LUMENS/WATT 60.00
LUMINOUS FLUX 120 lumens



Shown in brown



CLICK TO VIEW PRODUCT

Notes: