

Lightology

lightology.com
866-954-4489
05-23-26

Project: _____

Company: _____

Location: _____ Fixture Type: _____

SPEC #: **BRI1157557**

Approved On: _____ Approved By: _____

MR16 GU5.3 Base 5W 12V 15Deg 2700K 85CRI 10-PACK

By Brilliance



Description

The Brilliance 5 Watt 12V MR16 GU5.3 Bi-Pin is designed to fit in standard low voltage MR16 fixtures. These LEDs are thermally engineered to operate in enclosed fixtures and provide added security by automatically cooling down and reducing lumen output when exposed to extreme heat. Available with a variety of beam angle options in static white and monochromatic colors. Equivalent to a 35 watt halogen. Dimmable with Brilliance Dimmer and most low voltage magnetic transformers. Note: Sold as a 10-pack. Note: Limited beam angle options available for Amber, Red, Green and 5700K color temperature options.

Specifications

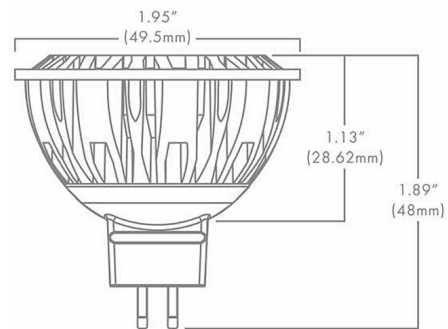
COLOR Brown
BODY FINISH N/A
WATTAGE 5W
DIMMER Low Voltage Magnetic
DIMENSIONS 1.95"W x 1.89"H
BULB MR16/GU5.3 (bipin)/5W/12V LED

Technical Information

LAMP LIFE 50000 hours
BEAM ANGLE 15°
COLOR RENDERING 85 CRI
LAMP COLOR 2700K
LUMENS/WATT 76.00
LUMINOUS FLUX 380 lumens



Shown in brown



CLICK TO VIEW PRODUCT

Notes: