

Lightology

lightology.com
866-954-4489
07-07-26

Project: _____

Company: _____

Location: _____ Fixture Type: _____

SPEC #: **BRI1157626**

Approved On: _____ Approved By: _____

Blaze G4 Bipin Base Flame Effect 12V LED 10-PACK

By Brilliance



Description

The Brilliance Blaze G4 Bi-Pin is a specialty bulb designed specifically to create a real, flickering flame-like effect in any G4 base fixture. Perfect for path lights or anywhere a warm, flickering light is desired. 1400-1700K color temperature. Note: Must be used in fully enclosed fixture. Note: Sold as a 10-pack.

Specifications

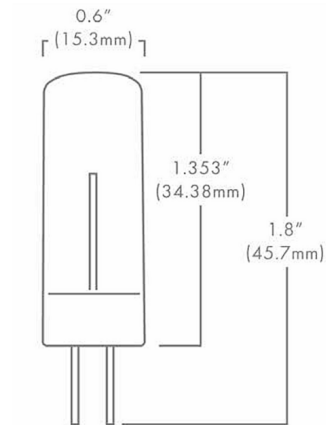
COLOR Frosted
BODY FINISH N/A
WATTAGE 2W
DIMMER Not Dimmable
DIMENSIONS 0.6"W x 1.8"H
BULB JC/G4 (bipin)/2W/12V LED

Technical Information

LAMP LIFE 30000 hours



Shown in frosted



CLICK TO VIEW PRODUCT

Notes: