

Lightology

lightology.com
866-954-4489
05-16-26

Project: _____

Company: _____

Location: _____ Fixture Type: _____

SPEC #: **BRI1157672**

Approved On: _____ Approved By: _____

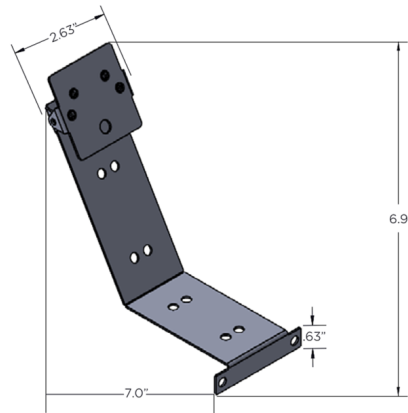
Mini Beam Gutter Mount Accessory By Brilliance

Description

The Mini Beam Gutter Mount accessory is an easy-to-affix bracket to light upper segments of structures including dormers or other architectural features. Designed for use with the Brilliance Mini Beam LED light. The stainless steel bracket is designed to work with the various sizes of Mini Beams and features 30 degrees of vertical adjustment. Can also be painted to match surroundings. Includes gutter mount, two bracket mounting screws and zip ties. Mini Beam sold separately.



Shown in stainless steel



Specifications

COLOR	N/A
BODY FINISH	Stainless Steel
WATTAGE	N/A
DIMMER	N/A
DIMENSIONS	2.63"W x 6.9"H x 7"D
BULB	N/A



CLICK TO VIEW PRODUCT

Notes: