

Lightology

lightology.com
866-954-4489
07-02-26

Project: _____

Company: _____

Location: _____ Fixture Type: _____

SPEC #: **BR11157805**

Approved On: _____ Approved By: _____

Black Diamond MR16 Outdoor Well Light with Flat Lens 12V

By Brilliance

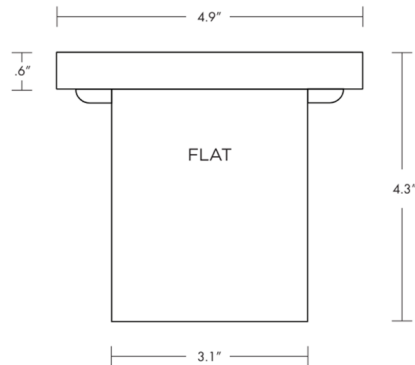


Description

The Black Diamond MR16 12V Well Light with Flat Lens is designed for outdoor well lighting and in-ground uplighting. Brass top construction with baked enamel finish, composite body, glass lens, and heavy-duty stainless steel adjustable gimbal. Available with or without a 12V MR16 Ecostar bulb. Note: Required 12 volt transformer sold separately. Dimmable with Brilliance Dimmer and most magnetic transformers.



Shown in black / clear



Specifications

COLOR	Clear
BODY FINISH	Black
WATTAGE	4W
DIMMER	Low Voltage Magnetic
DIMENSIONS	4.9"W x 4.3"H
BULB NOT INCLUDED	1 x MR16/GU5.3 (bipin)/4W/12V LED



CLICK TO VIEW PRODUCT

Notes: