

Lightology

lightology.com
866-954-4489
05-20-26

Project: _____

Company: _____

Location: _____ Fixture Type: _____

SPEC #: **BRI1157807**

Approved On: _____ Approved By: _____

Black Diamond MR16 Outdoor Well Light with Grate 12V By Brilliance

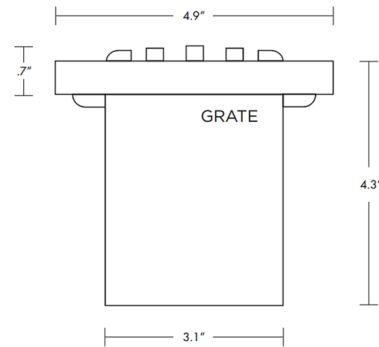


Description

The Black Diamond MR16 12V Well Light with Grate is designed for outdoor well lighting and in-ground uplighting. Brass construction with baked enamel finish, composite body, glass lens, grate, and heavy-duty stainless steel adjustable gimbal. Available with or without a 12V MR16 Ecostar bulb. Note: Required 12 volt transformer sold separately. Dimmable with Brilliance Dimmer and most magnetic transformers.



Shown in black / clear



Specifications

COLOR	Clear
BODY FINISH	Black
WATTAGE	4W
DIMMER	Low Voltage Magnetic
DIMENSIONS	4.9"W x 4.3"H
BULB NOT INCLUDED	1 x MR16/GU5.3 (bipin)/4W/12V LED



CLICK TO VIEW PRODUCT

Notes: