

Lightology

lightology.com
866-954-4489
04-24-26

Project: _____
Company: _____
Location: _____ Fixture Type: _____
SPEC #: **BR11157832**
Approved On: _____ Approved By: _____

Tee Outdoor Wall Wash Light 12V

By Brilliance



Description

The Tee 12V Wall Wash Light is designed for outdoor up lighting, back lighting, grazing, and low profile pathway lighting. Machined brass or copper finish offers a living finish that weathers over time to a unique patina. Black brass finish with Cerakote series ceramic coating offers superior corrosion resistance, durability, chemical resistance, and thermal stability. Fixture includes a one-piece stainless steel ground stake, glare shield, and Lighting Shrink Professional Crimp, and Heat Shrink Cable Connector. Power cable is supplied zip tied to the ground stake. Note: Required 12 volt transformer sold separately.

Specifications

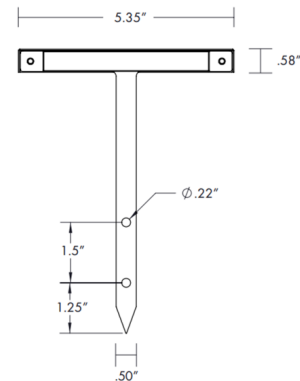
COLOR	N/A
BODY FINISH	Black Brass
WATTAGE	1.5W
DIMMER	N/A
DIMENSIONS	5.35"W x 0.58"H
INTEGRATED LED MODULE	1 x LED/1.5W/12V LED

Technical Information

COLOR RENDERING	85 CRI
LAMP COLOR	2700K
LUMENS/WATT	73.33
LUMINOUS FLUX	110 lumens



Shown in black brass



CLICK TO VIEW PRODUCT

Notes: