

Lightology

lightology.com
866-954-4489
04-24-26

Project: _____
Company: _____
Location: _____ Fixture Type: _____
SPEC #: **POM1157876**
Approved On: _____ Approved By: _____

Meta Step Parallel Pendant

By davidpompa



Description

The Meta Step Parallel Pendant is composed of two slender rock cylinders that are held together with a series of intersecting plates. The Brass and White options feature Fiorito Stone, while the Black option features Volcanic Rock. The Polished Brass will naturally oxidate over time. Each piece is engraved with a progressive serial number to highlight the artisanal work and material finish. Dimmable via Triac dimming.

Specifications

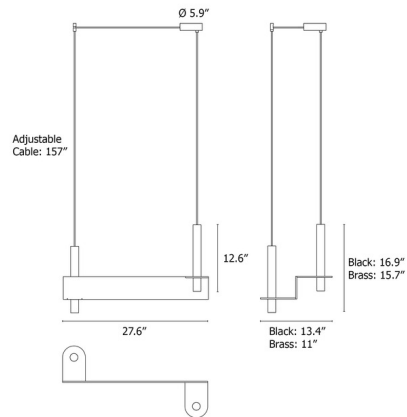
COLOR	N/A
BODY FINISH	Polished Brass
WATTAGE	14W
DIMMER	Standard 120V
DIMENSIONS	27.6"L x 11"W x 15.7"H
INTEGRATED LED MODULE	2 x LED/7W/120V LED
COUNTRY OF ORIGIN	Mexico

Technical Information

PRODUCT DIMENSIONS	Canopy: 5.9" diameter
COLOR RENDERING	90 CRI
LAMP COLOR	2700K
LUMENS/WATT	171.43
LUMINOUS FLUX	1200 lumens



Shown in polished brass



CLICK TO VIEW PRODUCT

Notes: