

Lightology

lightology.com
866-954-4489
07-07-26

Project: _____

Company: _____

Location: _____ Fixture Type: _____

SPEC #: **QZL1159352**

Approved On: _____ Approved By: _____

Amaranth Linear Pendant

By Quoizel



Description

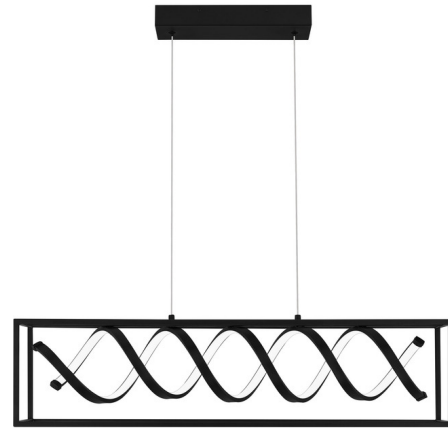
Functional lighting meets modern art. The Amaranth Linear Pendant features an integrated light source for a continuous ambient glow. A metal finish underscores its bold, futuristic design style.

Specifications

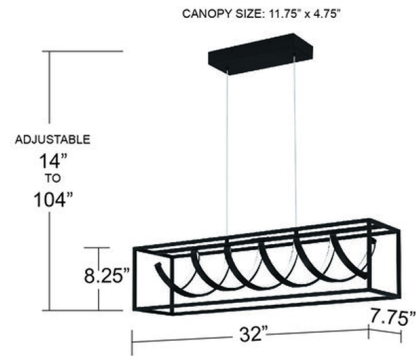
COLOR White
BODY FINISH Matte Black
WATTAGE 36W
DIMMER Standard 120V
DIMENSIONS 32"L x 7.75"W x 8.25"H
INTEGRATED LED MODULE 1 x LED/36W/120V LED

Technical Information

COLOR RENDERING 90 CRI
LAMP COLOR 3000K
LUMENS/WATT 76.89
LUMINOUS FLUX 2768 lumens



Shown in matte black / white



NOTE: ALL DIMENSIONS ARE ROUNDED UP TO THE NEAREST 1/4"



CLICK TO VIEW PRODUCT

Notes: