

Lightology

lightology.com
866-954-4489
04-25-26

Project: _____

Company: _____

Location: _____ Fixture Type: _____

SPEC #: **QZL1159433**

Approved On: _____ Approved By: _____

Cedar Park Pendant

By Quoizel



Description

Cedar Park embraces elements of both industrial and coastal design. This Cedar Park Pendant features an elegant lattice pattern made of rope instead of the typical metal lines. A darker finish completes the look, making Cedar Park a perfect complement to a variety of indoor settings.

Specifications

COLOR Rope
BODY FINISH Matte Black
WATTAGE 68W
DIMMER Standard 120V
DIMENSIONS 18"W x 12"H
BULB NOT INCLUDED 4 x Edison ST-Shape/Medium (E26)/17W/120V LED

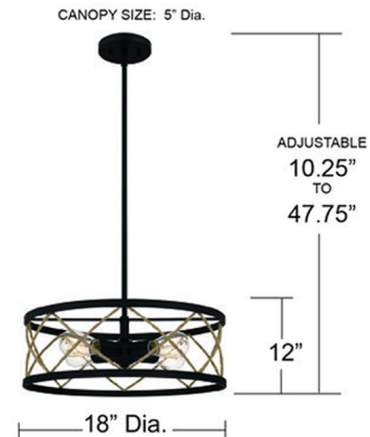
Technical Information

PRODUCT DIMENSIONS Downrods Included: 2-6" and 2-12" Stems

Notes:



Shown in matte black / rope



CLICK TO VIEW PRODUCT