

Lightology

lightology.com
866-954-4489
07-04-26

Project: _____
Company: _____
Location: _____ Fixture Type: _____
SPEC #: **SCH1159769**
Approved On: _____ Approved By: _____

Origami Wall Sconce By Schonbek Signature



Description

The Origami Wall Sconce adds a simple elegance to your interior space. The smooth metal frame is complemented by folds of crystal, casting warm shadows across your room. Color temperature adjustability switch from 3000K/3500K/4000K at time of installation mounted at the back of the mounting plate to be installed within the junction box.

Specifications

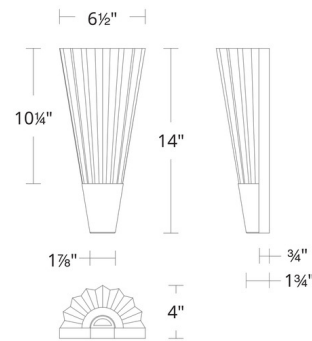
COLOR Heritage Crystal
BODY FINISH Aged Brass
WATTAGE 14W
DIMMER Low Voltage Electronic
DIMENSIONS 6.5"L x 4"W x 14"H
INTEGRATED LED MODULE 1 x LED/14W/120-277V LED
COUNTRY OF ORIGIN China

Technical Information

COLOR RENDERING 90 CRI
LAMP COLOR CCT Select
LUMENS/WATT 16.36
LUMINOUS FLUX 229 lumens



Shown in aged brass / heritage crystal



57214



CLICK TO VIEW PRODUCT

Notes: