

# Lightology

lightology.com  
866-954-4489  
04-25-26

Project: \_\_\_\_\_

Company: \_\_\_\_\_

Location: \_\_\_\_\_ Fixture Type: \_\_\_\_\_

SPEC #: **AMST161447**

Approved On: \_\_\_\_\_ Approved By: \_\_\_\_\_

## Caribe Natural Bench

By Ames

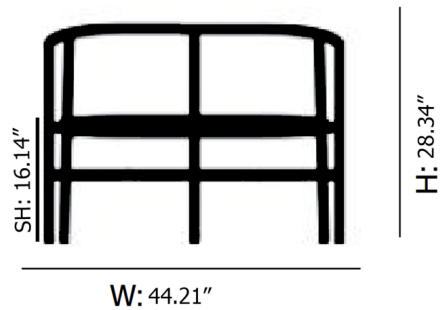


### Description

The Caribe Natural Bench is a design by Sebastian Herkner, featuring a beautiful wicker webbing. The shape of the chair follows our popular Caribe and Caribe Chic pieces, while the beige hue of the natural material gives it a more subtle touch. The wicker lends the design a natural look and makes it very comfortable to sit in. Suitable for indoor use or under covered area.



Shown in yellow / natural



### Specifications

COLOR	Natural
BODY FINISH	Yellow
WATTAGE	N/A
DIMMER	N/A
DIMENSIONS	44.21"W x 28.34"H x 27.4"D
BULB	N/A
COUNTRY OF ORIGIN	Colombia

### Technical Information

PRODUCT DIMENSIONS	Seat Height: 16.14"
--------------------	---------------------



CLICK TO VIEW PRODUCT

Notes: