

# Lightology

lightology.com  
866-954-4489  
06-22-26

Project: \_\_\_\_\_  
 Company: \_\_\_\_\_  
 Location: \_\_\_\_\_ Fixture Type: \_\_\_\_\_  
 SPEC #: **BEA1161718**  
 Approved On: \_\_\_\_\_ Approved By: \_\_\_\_\_

## 6IN Color-Select LED Recessed Downlight with Remote Driver By Beach Lighting



### Description

The 6IN Color-Select LED Recessed Downlight Module with Remote Driver is a recessed fixture for remodel applications with no housing required. The fixture is IC-rated for contact with insulation, suitable for wet locations, and airtight. A CCT-select switch allows the color temperature to be set to 2700K, 3000K, 3500K, 4000K, or 5000K prior to installation. Dimmable to 10% with TRIAC/ELV dimmers. Note: Trims and mounting plate for new construction sold separately.

### Specifications

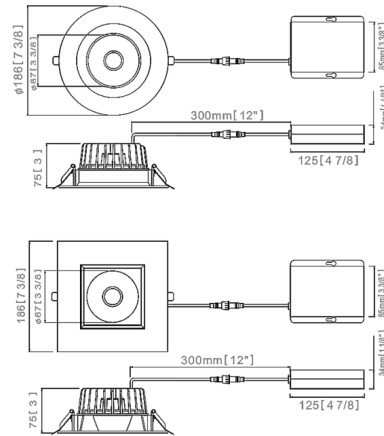
REFLECTOR/BAFFLE COLOR	N/A
BODY FINISH	Matte White
WATTAGE	24W
DIMMER	Low Voltage Electronic
DIMENSIONS	7.38"W x 3"H
INTEGRATED LED MODULE	1 x LED/24W/120V LED
COUNTRY OF ORIGIN	China

### Technical Information

APERTURE SHAPE	Round
HOUSING TYPE	Remodel IC Airtight
CEILING TYPE	Drywall with Trim
FUNCTION	Downlight
BEAM ANGLE	40°
COLOR RENDERING	90 CRI
LAMP COLOR	CCT Select
LUMENS/WATT	75.00
LUMINOUS FLUX	1800 lumens



Shown in matte white



CLICK TO VIEW PRODUCT

Notes: