

# Lightology

lightology.com  
866-954-4489  
06-04-26

Project: \_\_\_\_\_  
Company: \_\_\_\_\_  
Location: \_\_\_\_\_ Fixture Type: \_\_\_\_\_  
SPEC #: **BOV1161796**  
Approved On: \_\_\_\_\_ Approved By: \_\_\_\_\_

## Mediterrania Outdoor Pendant By Bover



### Description

The Mediterrania S/105 Outdoor Pendant is an ode to the bright, warm beams that shine across the Mediterranean. Its gentle waves are handwoven out of recyclable, non-toxic synthetic polyethylene fiber and the integrated LED is protected by a polycarbonate diffuser to withstand outdoor conditions. This light is perfect for patios or other exterior spaces, and works just as well in interior spaces to create a relaxing ambiance.

### Specifications

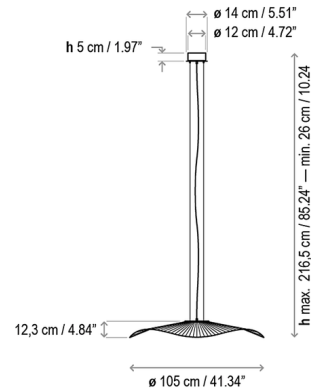
COLOR . . . . . Brown Synthetic Fiber  
BODY FINISH . . . . . Black  
WATTAGE . . . . . 17.1W  
DIMMER . . . . . Low Voltage Electronic  
DIMENSIONS . . . . . 41.34"W x 4.84"H  
INTEGRATED LED MODULE . . . . . 1 x LED/17.1W/120V LED  
COUNTRY OF ORIGIN . . . . . Spain

### Technical Information

COLOR RENDERING . . . . . 90 CRI  
LAMP COLOR . . . . . 2700K  
LUMENS/WATT . . . . . 120.70  
LUMINOUS FLUX . . . . . 2064 lumens



Shown in black / brown synthetic fiber



CLICK TO VIEW PRODUCT

Notes: