

Lightology

lightology.com
866-954-4489
07-08-26

Project: _____

Company: _____

Location: _____ Fixture Type: _____

SPEC #: **KRL1165121**

Approved On: _____ Approved By: _____

Q/Wood Soft Armchair

By Kartell

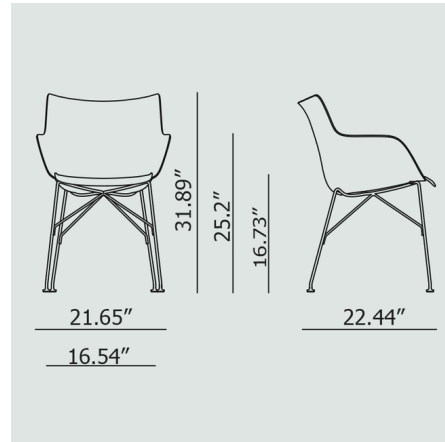


Description

The Q/Wood Soft Armchair is the latest addition to the armchair collection. Q/wood is characterized by a woodworking, combining timeless elegance with contemporary forms, and is available in a variety of options and an upholstered seat cushion. Choose from light or dark wood veneer with either chrome or black legs. Note: Not all options available; light wood veneer backrest options available with chrome legs, and dark wood veneer backrest options available with black legs. Black wood veneer backrest with black legs is only available with a black seat.



Shown in chrome legs / light wood veneer backrest / black fabric seat



Specifications

COLOR	Black Fabric Seat
BODY FINISH	Chrome Legs / Light Wood Veneer Backrest
WATTAGE	N/A
DIMMER	N/A
DIMENSIONS	21.65"W x 31.889"H x 22.44"D
BULB	N/A
COUNTRY OF ORIGIN	Italy

Technical Information

PRODUCT DIMENSIONS	Seat Height: 16.73"
--------------------	---------------------



CLICK TO VIEW PRODUCT

Notes: