

Lightology

lightology.com
866-954-4489
04-04-26

Project: _____
 Company: _____
 Location: _____ Fixture Type: _____
 SPEC #: **AER1167169**
 Approved On: _____ Approved By: _____

ABF-G5 Multi Speed Exhaust Fan with Humidity/Motion Sensor

By Aero Pure

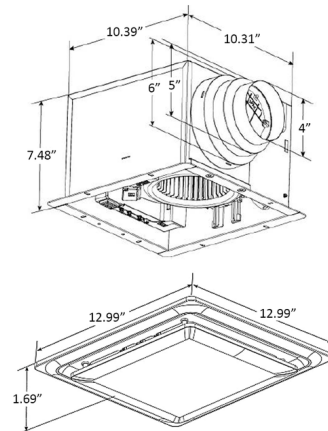


Description

The quiet ABF G5 Multi Speed Exhaust Fan with Humidity and Motion Sensor is an IC-rated bath fan suitable for new construction or remodel applications. Its contemporary square grille works well in a range of interior styles. Airflow is achieved through an energy-efficient brushless DC motor. A high flow speed of 50, 80, or 110 CFM and a continuous lower speed can be set using switches in the fixture. The humidity sensor can activate high airflow when humidity rises above a level set by the user (50-100%), and a motion sensor activates the fan when someone enters the room. The fan has rust-proof steel motor housing, a built-in backdraft damper and thermal shutoff. It fits in 2 x 8 inch construction, and includes articulating expandable anti-vibration brackets and a connector for 4, 5 or 6 inch ducts. ETL listed for use in a tub or shower enclosure when GFCI-protected.



Shown in white



Specifications

COLOR	N/A
BODY FINISH	White
WATTAGE	N/A
DIMMER	N/A
DIMENSIONS	10.39"W x 7.48"H x 10.31"D
BULB	N/A
COUNTRY OF ORIGIN	China



CLICK TO VIEW PRODUCT

Notes: