

Lightology

lightology.com
866-954-4489
05-24-26

Project: _____

Company: _____

Location: _____ Fixture Type: _____

SPEC #: **AHM1167333**

Approved On: _____ Approved By: _____

Sherbourne Cabinet

By Arteriors Home

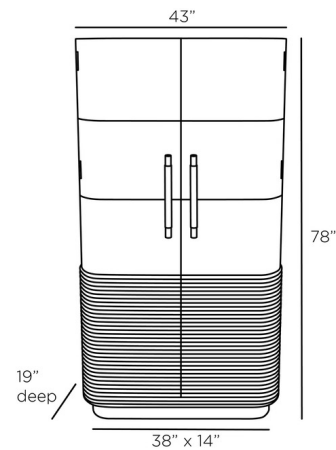


Description

The Sherbourne Cabinet is the perfect piece for general storage. Wrapped in leather featuring white marble door pulls accented in antique brass. Contrasting, oversized rib detail finishes the oak base. Rests on an antique brass plinth, is fitted with a stationery oak veneer interior and shelves as well as two drawers.



Shown in ebony



Specifications

COLOR	N/A
BODY FINISH	Ebony
WATTAGE	N/A
DIMMER	N/A
DIMENSIONS	43"W x 78"H x 19"D
BULB	N/A



CLICK TO VIEW PRODUCT

Notes: