

Lightology

lightology.com
866-954-4489
06-30-26

Project: _____

Company: _____

Location: _____ Fixture Type: _____

SPEC #: **BFR1167586**

Approved On: _____ Approved By: _____

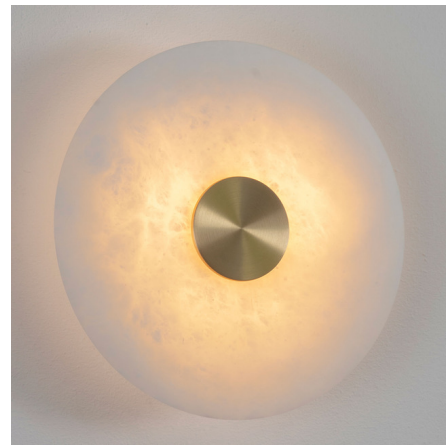
Bide Wall Sconce

By Bert Frank

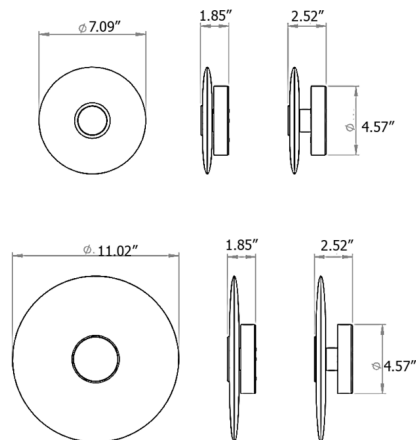


Description

The Bide Wall Sconce will exude a warm and pleasant glow with its integrated LED light source and natural alabaster diffuser. The diffuser is supported just off the surface of the wall by a metal bobbin, which creates the illusion of the fixture floating in mid-air. While Bide is a striking piece on its own, it is designed to be installed in groups of multiple sconces overlapping to create sculpture-like arrangements. Note: UL certification is available upon request for an additional charge. Please contact our sales team for assistance.



Shown in brass / alabaster



Specifications

COLOR Alabaster
BODY FINISH Brass
WATTAGE 6W
DIMMER Standard 120V
DIMENSIONS 7"W x 7"H x 2.52"D
INTEGRATED LED MODULE 1 x LED/6W/120V LED
COUNTRY OF ORIGIN United Kingdom

Technical Information

LAMP COLOR 2700K
LUMENS/WATT 116.67
LUMINOUS FLUX 700 lumens



CLICK TO VIEW PRODUCT

Notes: