

Lightology

lightology.com
866-954-4489
04-25-26

Project: _____
 Company: _____
 Location: _____ Fixture Type: _____
 SPEC #: **BFR1167588**
 Approved On: _____ Approved By: _____

Bide Wall Sconce

By Bert Frank



Description

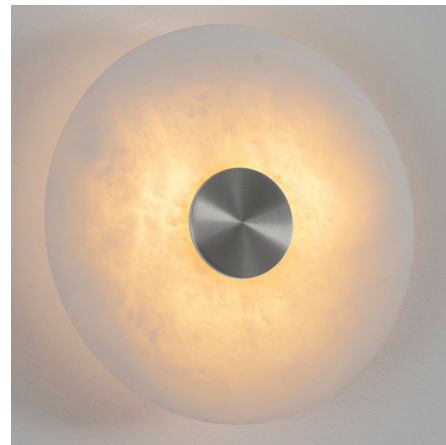
The Bide Wall Sconce will exude a warm and pleasant glow with its integrated LED light source and natural alabaster diffuser. The diffuser is supported just off the surface of the wall by a metal bobbin, which creates the illusion of the fixture floating in mid-air. While Bide is a striking piece on its own, it is designed to be installed in groups of multiple sconces overlapping to create sculpture-like arrangements. Note: UL certification is available upon request for an additional charge. Please contact our sales team for assistance.

Specifications

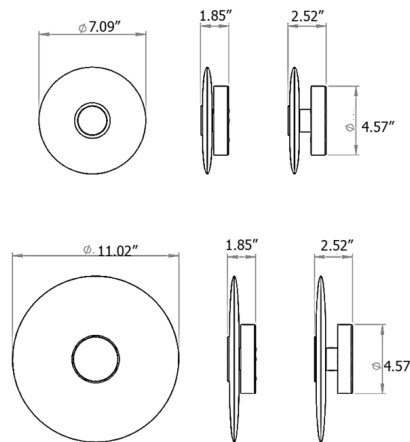
COLOR Alabaster
 BODY FINISH Nickel
 WATTAGE 6W
 DIMMER Standard 120V
 DIMENSIONS 7.09"W x 7.09"H x 2.36"D
 INTEGRATED LED MODULE 1 x LED/6W/120V LED
 COUNTRY OF ORIGIN United Kingdom

Technical Information

LAMP COLOR 2700K
 LUMENS/WATT 116.67
 LUMINOUS FLUX 700 lumens



Shown in nickel / alabaster



CLICK TO VIEW PRODUCT

Notes: