

# Lightology

lightology.com  
866-954-4489  
05-25-26

Project: \_\_\_\_\_

Company: \_\_\_\_\_

Location: \_\_\_\_\_ Fixture Type: \_\_\_\_\_

SPEC #: **BFR1167631**

Approved On: \_\_\_\_\_ Approved By: \_\_\_\_\_

## Kernel Table Lamp

By Bert Frank



### Description

The Kernel Table Lamp is defined by its clean, linear design and repetition of simple, geometric shapes. A pair of opal glass globes provide a contrasting shape to the lamp's rectangular frame and direct light both up and downwards. The bottom of the lampshade is covered by a laser cut brass diffuser, with curved slots echoing the globes' curves. On/off switch located on cord.

### Specifications

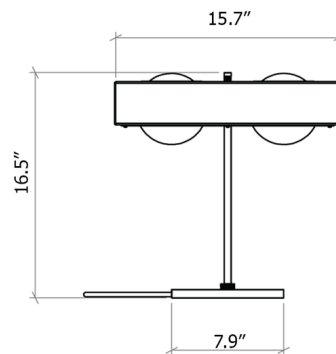
COLOR . . . . . Oxblood  
BODY FINISH . . . . . Brass  
WATTAGE . . . . . 8W  
DIMMER . . . . . N/A  
DIMENSIONS . . . . . 15.7"W x 16.5"H x 7.9"D  
BULB INCLUDED . . . . . 2 x JCD/G9/4W/120V LED  
COUNTRY OF ORIGIN . . . . . United Kingdom

### Technical Information

COLOR RENDERING . . . . . 80 CRI  
LAMP COLOR . . . . . 2700K  
LUMENS/WATT . . . . . 125.00  
LUMINOUS FLUX . . . . . 500 lumens



Shown in brass / oxblood



CLICK TO VIEW PRODUCT

Notes: