

Lightology

lightology.com
866-954-4489
04-24-26

Project: _____

Company: _____

Location: _____ Fixture Type: _____

SPEC #: **BFR1167687**

Approved On: _____ Approved By: _____

Revolve Rise and Fall Pendant By Bert Frank



Description

The Revolve Rise and Fall Pendant is a versatile fixture with a sleek, modern aesthetic that will complement virtually any interior. The slim, spun metal pendant is accented by a polycarbonate diffuser to reduce glare and a brass reflector which directs light upward. The Rise and Fall Pendant includes a counterweight and ceiling-mounted pulley that allows the hanging height of the pendant to be easily adjusted. Note: UL certification is available upon request for an additional charge. Please contact our sales team for assistance.

Specifications

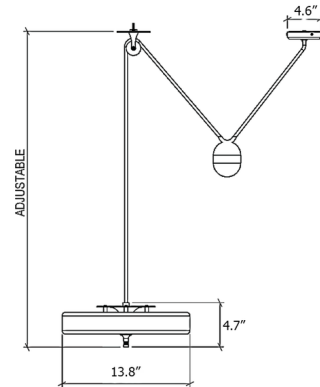
COLOR Black
BODY FINISH Brushed Brass
WATTAGE 12W
DIMMER Standard 120V
DIMENSIONS 13.79"W x 4.73"H
BULB INCLUDED 3 x JCD/G9/4W/120V LED
COUNTRY OF ORIGIN United Kingdom

Technical Information

COLOR RENDERING 80 CRI
LAMP COLOR 2700K
LUMENS/WATT 187.50
LUMINOUS FLUX 750 lumens



Shown in brushed brass / black



CLICK TO VIEW PRODUCT

Notes: