

# Lightology

lightology.com  
866-954-4489  
05-25-26

Project: \_\_\_\_\_

Company: \_\_\_\_\_

Location: \_\_\_\_\_ Fixture Type: \_\_\_\_\_

SPEC #: **BFR1167691**

Approved On: \_\_\_\_\_ Approved By: \_\_\_\_\_

## Revolve Rise and Fall Pendant

By Bert Frank



### Description

The Revolve Rise and Fall Pendant is a versatile fixture with a sleek, modern aesthetic that will complement virtually any interior. The slim, spun metal pendant is accented by a polycarbonate diffuser to reduce glare and a brass reflector which directs light upward. The Rise and Fall Pendant includes a counterweight and ceiling-mounted pulley that allows the hanging height of the pendant to be easily adjusted. Note: UL certification is available upon request for an additional charge. Please contact our sales team for assistance.

### Specifications

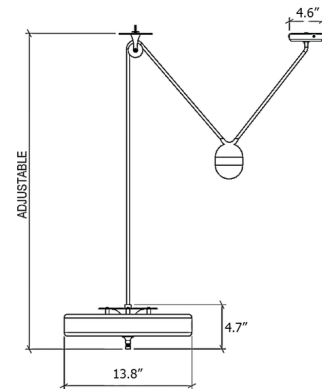
COLOR . . . . . Oxblood  
BODY FINISH . . . . . Brushed Brass  
WATTAGE . . . . . 12W  
DIMMER . . . . . Standard 120V  
DIMENSIONS . . . . . 13.79"W x 4.73"H  
BULB INCLUDED . . . . . 3 x JCD/G9/4W/120V LED  
COUNTRY OF ORIGIN . . . . . United Kingdom

### Technical Information

COLOR RENDERING . . . . . 80 CRI  
LAMP COLOR . . . . . 2700K  
LUMENS/WATT . . . . . 187.50  
LUMINOUS FLUX . . . . . 750 lumens



Shown in brushed brass / oxblood



CLICK TO VIEW PRODUCT

Notes: