

Lightology

lightology.com
866-954-4489
06-30-26

Project: _____

Company: _____

Location: _____ Fixture Type: _____

SPEC #: **BFR1167696**

Approved On: _____ Approved By: _____

Riddle Table Lamp

By Bert Frank



Description

The Riddle Table Lamp pairs a perforated, machined brass shade with an interior fabric diffuser for a sleek, industrial aesthetic that provides warm, soft light. The lampshade is supported by an angled arm with a hinged joint that allows the light to be tilted up and down. The arm can also be rotated by loosening the knob on the lamp's stem. On/off switch located on base.



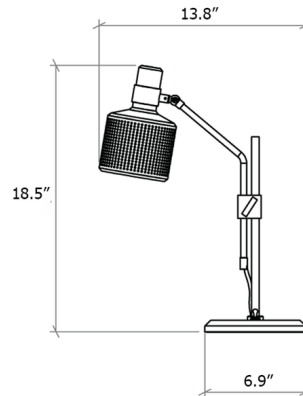
Shown in brushed brass / black

Specifications

COLOR	Black
BODY FINISH	Brushed Brass
WATTAGE	4W
DIMMER	N/A
DIMENSIONS	13.8"W x 18.5"H x 6.9"D
BULB INCLUDED	1 x B10/Candelabra (E12)/4W/120V LED
COUNTRY OF ORIGIN	United Kingdom

Technical Information

PRODUCT DIMENSIONS	Cord Length: 78.7"
COLOR RENDERING	80 CRI
LAMP COLOR	2700K
LUMENS/WATT	62.50
LUMINOUS FLUX	250 lumens



CLICK TO VIEW PRODUCT

Notes: