

Lightology

lightology.com
866-954-4489
04-25-26

Project: _____

Company: _____

Location: _____ Fixture Type: _____

SPEC #: **BFR1167697**

Approved On: _____ Approved By: _____

Riddle Double Table Lamp By Bert Frank

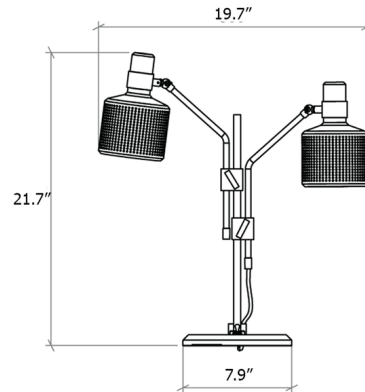


Description

The Riddle Double Table Lamp features a pair of perforated, machined brass shades with interior fabric diffusers for a sleek, industrial aesthetic that provides warm, soft light. The lampshades are supported by angled arms with hinged joints that allow the lights to be tilted up and down. The lampshade arms can also be rotated by loosening the knobs on the lamp's stem. On/off switch located on base. Note: UL certification is available upon request for an additional charge. Please contact our sales team for assistance.



Shown in brass



Specifications

COLOR	N/A
BODY FINISH	Brass
WATTAGE	8W
DIMMER	N/A
DIMENSIONS	19.7\"W x 21.7\"H x 7.9\"D
BULB INCLUDED	2 x JCD/G9/4W/120V LED
COUNTRY OF ORIGIN	United Kingdom

Technical Information

COLOR RENDERING	80 CRI
LAMP COLOR	2700K
LUMENS/WATT	125.00
LUMINOUS FLUX	500 lumens



CLICK TO VIEW PRODUCT

Notes: