

Lightology

lightology.com
866-954-4489
06-30-26

Project: _____

Company: _____

Location: _____ Fixture Type: _____

SPEC #: **BFR1167715**

Approved On: _____ Approved By: _____

Shear Pendant By Bert Frank

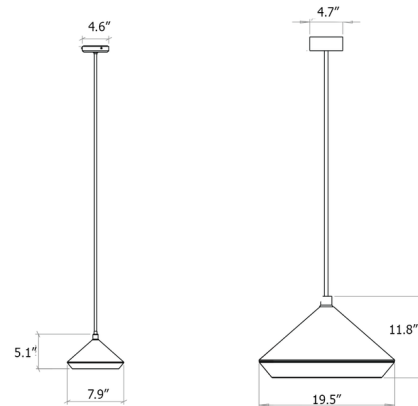


Description

The Shear Pendant is a versatile and functional fixture with a luxurious expression and timeless silhouette. The conical shade is crafted from spun aluminum and accented with a brass rim and interior to reflect light and create a warm glow. Shear's simple, streamlined style makes it an effortless fit in a variety of settings. The small pendants include a black fabric cord, while the large pendants include a brass downrod. Note: Includes canopy to cover standard US junction box. The overall height of the large size is to be specified at time of order (60 inch maximum overall height).



Shown in brushed brass / black



Specifications

COLOR Black
BODY FINISH Brushed Brass
WATTAGE 8.5W
DIMMER Standard 120V
DIMENSIONS 19.5"W x 11.8"H
BULB INCLUDED 1 x A19/Medium (E26)/8.5W/120V LED
COUNTRY OF ORIGIN United Kingdom

Technical Information

PRODUCT DIMENSIONS Canopy: 4.72" diameter
LAMP COLOR 2700K



CLICK TO VIEW PRODUCT

Notes: