

# Lightology

lightology.com  
866-954-4489  
07-09-26

Project: \_\_\_\_\_

Company: \_\_\_\_\_

Location: \_\_\_\_\_ Fixture Type: \_\_\_\_\_

SPEC #: **BFR1167718**

Approved On: \_\_\_\_\_ Approved By: \_\_\_\_\_

## Shear Wall Sconce

By Bert Frank

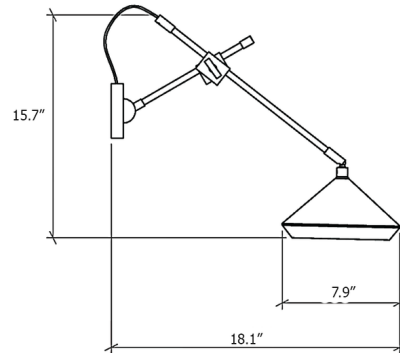


### Description

The Shear Wall Sconce is a versatile and functional fixture with a luxurious expression and timeless silhouette. The conical shade is crafted from spun aluminum and accented with a brass rim and interior to reflect light and create a warm glow. The shade can be tilted to aim the light beam, and it is supported by an adjustable arm that can be raised and lowered.



Shown in brushed brass / white



### Specifications

COLOR	White
BODY FINISH	Brushed Brass
WATTAGE	4W
DIMMER	Standard 120V
DIMENSIONS	7.9"W x 15.75"H x 18.1"D
BULB INCLUDED	1 x JCD/G9/4W/120V LED
COUNTRY OF ORIGIN	United Kingdom

### Technical Information

LAMP COLOR	2700K
------------	-------



CLICK TO VIEW PRODUCT

Notes: