

Lightology

lightology.com
866-954-4489
05-18-26

Project: _____

Company: _____

Location: _____ Fixture Type: _____

SPEC #: **BFR1167719**

Approved On: _____ Approved By: _____

Shear Table Lamp

By Bert Frank

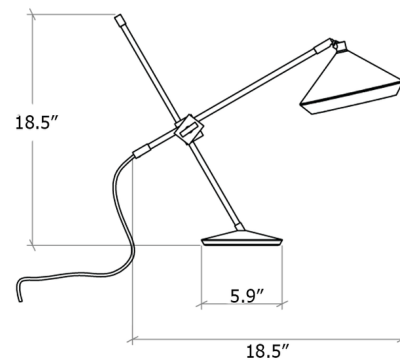


Description

The Shear Table Lamp is a versatile and functional fixture with a luxurious expression and timeless silhouette. The conical shade is crafted from spun aluminum and accented with a brass rim and interior to reflect light and create a warm glow. The shade can be tilted to aim the light beam, and it is supported by an angled stem and adjustable arm that can be raised and lowered. On/off switch located on cord. Note: UL certification is available upon request for an additional charge. Please contact our sales team for assistance.



Shown in brass / black



Specifications

COLOR Black
BODY FINISH Brass
WATTAGE 4W
DIMMER N/A
DIMENSIONS 5.9"W x 18.5"H x 18.5"D
BULB INCLUDED 1 x JCD/G9/4W/120V LED
COUNTRY OF ORIGIN United Kingdom

Technical Information

COLOR RENDERING 80 CRI
LAMP COLOR 2700K
LUMENS/WATT 62.50
LUMINOUS FLUX 250 lumens



CLICK TO VIEW PRODUCT

Notes: